



RotoSpin C

We are preparing
new products

Applications

The RS-C rotary (support) module is used for the capturing of tilting moments during the welding of large spatial parts, for the transmission of welding current, compressed air, electrical signals, etc.

Main parts

The RS-C module consists of a frame, a rotary flange, a hollow shaft, a tilt bearing and a rotary welding current distribution unit. The hollow shaft allows to route compressed air and electric signal distribution lines.

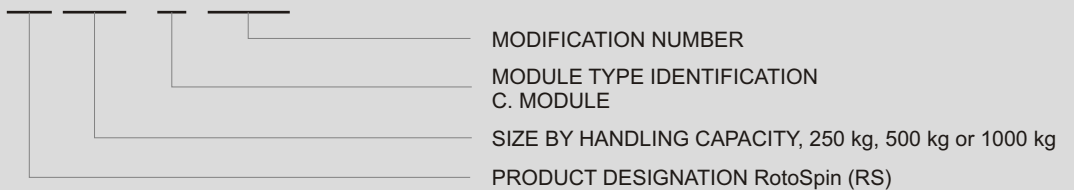


Versions

The RS-C module is normally supplied with a rotary electric distribution unit for the welding current of 500 A. Upon an agreement with the manufacturer, the rotary distribution unit can be modified, or the module can be supplied without a distribution unit. The module is supplied in two versions, with feet or with a flange. The RS-C module for the horizontal or vertical axis of rotation is used as complement to the RS-A or RS-B module.

RS type C MODULE DESIGNATION

RS XXX - C - FXXX



TECHNICAL DATA

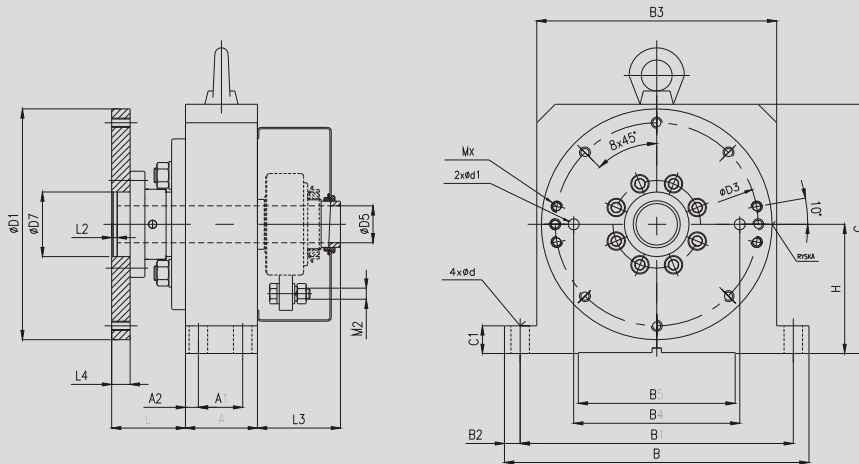
Rating table RotoSpin C

Parameter / Size	Handling capacity	Speed	Max. welding current	Max. amperage	Max. voltage	Weight	Hole in the shaft
	[kg]	[RPM]	[A]	[%]	[V]	[kg]	[mm]
RS 250-C	250	10	500	60	40	22	40
RS 500-C	500	10	500	60	40	42	40
RS 1000-C	1000	10	500	60	40	50	40

RotoSpin C

DIMENSIONS

RotoSpin



Tab. 1.1a: Basic dimensions of the RS-C module

SIZE	A	A1	A2	B	B1	B2	B3	B4	C	C1	ød	ød1H7	øDH7	øD1	øD3	øD5	L	L2	L3	L4	n x MX
250	58	30	14	240	210	15	180	120	190	25	17	10	70	180	150	40	78	6	90	18	8 x M10
500	78	48	15	330	296	17	260	180	270	30	21	12	70	250	220	40	80	10	90	20	8 x M12
1000	78	48	15	330	296	17	260	180	270	30	21	12	70	250	220	40	82	10	90	24	8 x M12

RS XX-C-F015 MODULE

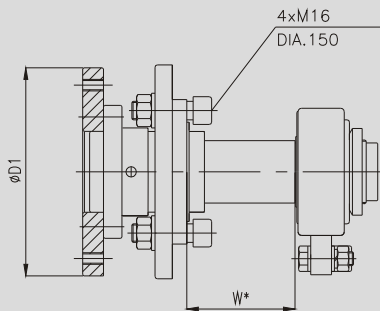
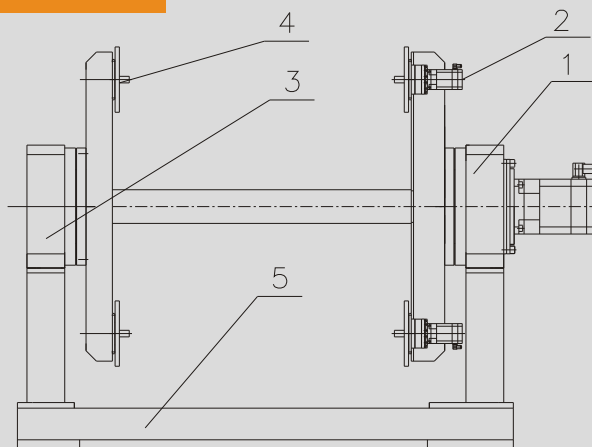


Fig. Flanged support module
* Dimension W is modifiable.



A TYPICAL RS-C MODULE APPLICATION

1. RS 250-B driving module
2. RS 250-A driving module
3. RS 500-C suspensory module
4. RS 250-C-F015 suspensory module
5. Connecting module

Rotary positioning device with a horizontal rotation axis.



Spinea, s.r.o. Prešov
Okrajová 33
080 05 Prešov
Slovakia

E-mail: info@spinea.sk
Web: www.spinea.sk

Tel: +421 51 / 7700155
+421 51 / 7700156
+421 51 / 7756965
+421 51 / 7754925

Fax: +421 51 / 7700154
+421 51 / 7700251